

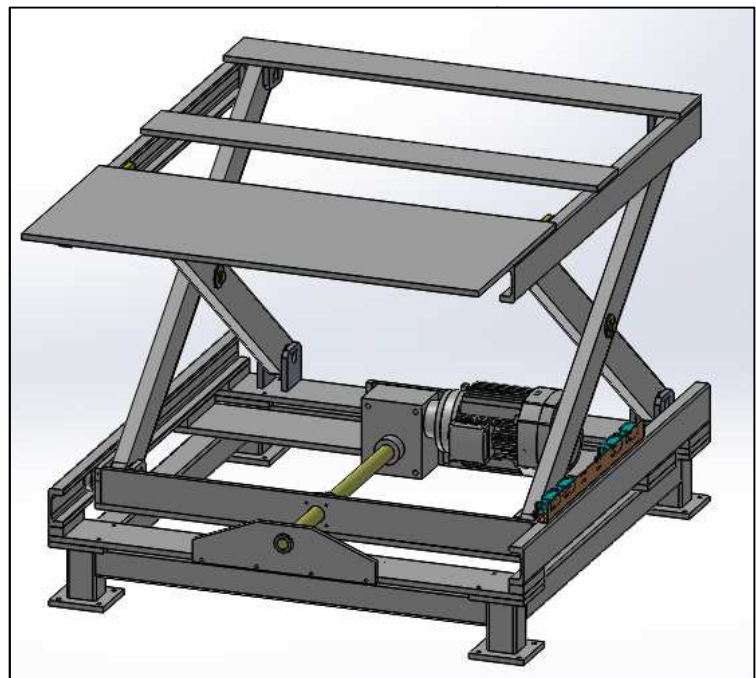
SPECIAL EQUIPMENTS

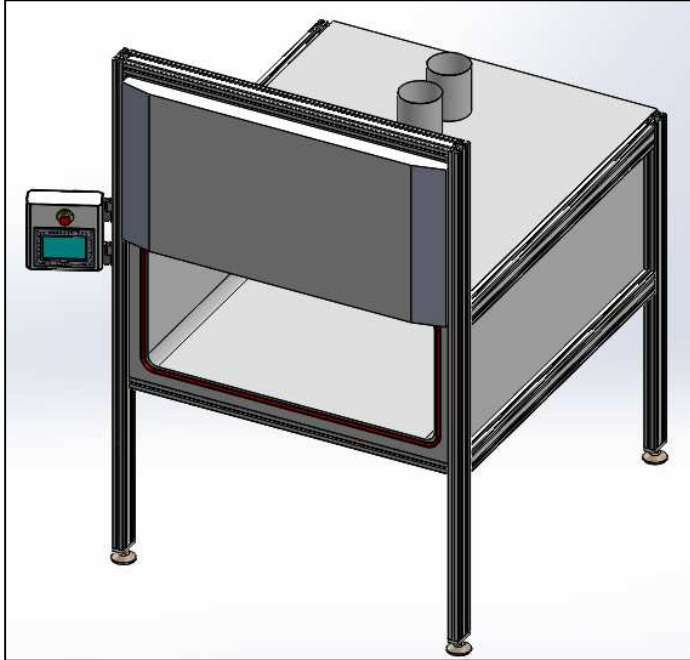
The equipments are developed according to the client needs and cover a large range of applications, namely:



Large Capacity Automatic Positioning Systems

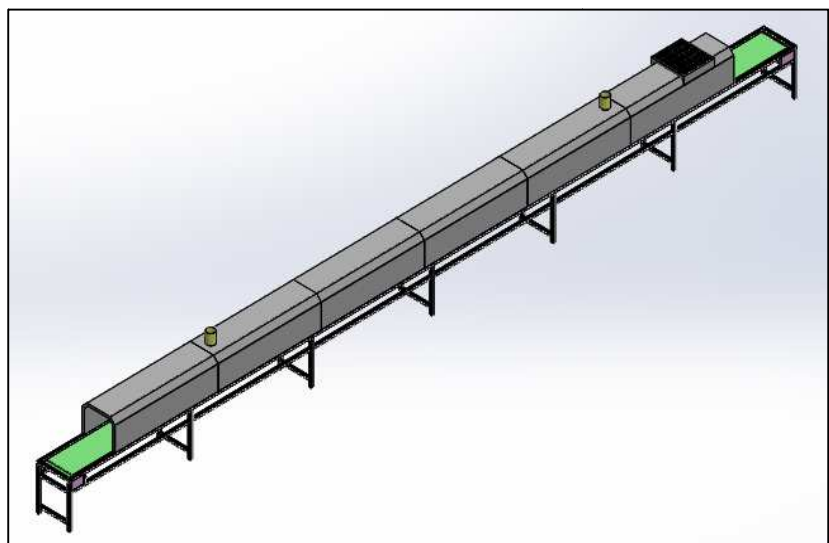
Automatic Positioning Tables, with and without horizontal movement





Thermal Chambers, with automated process. Local and remote control

*Cure Tunnels
&
Cure Towers*



*Automatic XY Systems
for mapping sound,
radiation, etc.*

