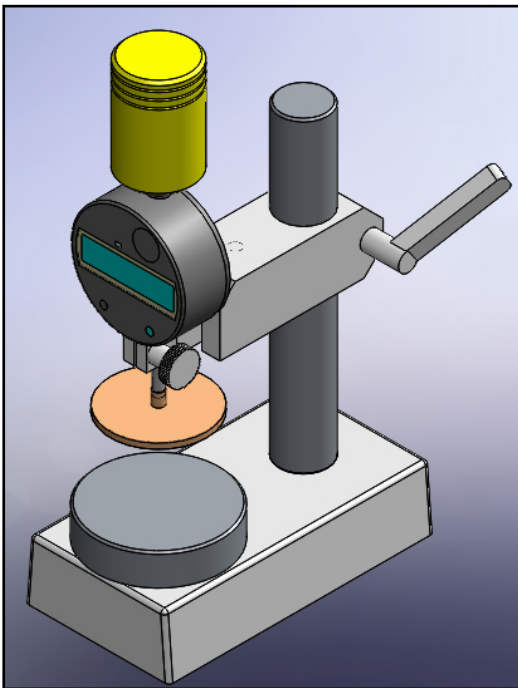


Thickness Meter for Textile Materials

HILAB model H046/3

Purpose – Determination of thickness of textile materials, according *EN ISO 5084*.



This measuring system is composed by digital gauge with high accuracy.

This thickness meter is supplied with a pressure foot, \varnothing of 50,5 mm for EN ISO 5084 and with pressure level of 1 KPa.

Dial gauge used in this thickness meter is digital, with 12 mm of measurement capacity and an accuracy of 0,01 mm.

Measurement Pressure	(kPa)	1 ± 0,01
Pressure foot diameter	(mm)	50,5 ± 0,2
Maximum measuring thickness	(mm)	10
Measuring thickness accuracy	(mm)	0,01
Dimensions (W x D x H)	(mm)	100 x 200 x 290
Net Weight (including base)	(Kg)	2,9

Due continuous technical development, we reserve the right to introduce changes in the product, without previous notice.

HILAB – Test Equipments & Consulting

Rua 16 de Maio, 308

3700-100 S. João da Madeira – Portugal

Tel. 00 351 916927147; 910777803 – emails: yg@hilab.pt -- p.silva@hilab.pt