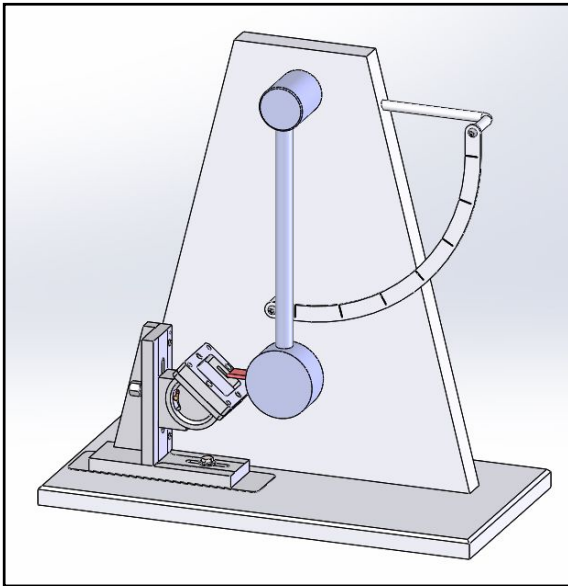


### Heel Impact Tester,

### **HILAB model H085**



**Purpose** – Determine the impact resistance of the heels of women’s shoes, **according EN ISO 19953; BS 5131:4.8; SATRA TM20.**

Installing the appropriated support, this equipment can also perform the impact resistance test on **rigid soles**, **according BS 5131:5.6; SATRA TM86.**

The equipment is supplied complete with tools to prepare the fixation of heels and/or rigid soles.

The energy of the impact is made by pendulum that falls from the height correspondent to the energy level marked on the scale.

All pieces of this machine that are contacting with test sample are made from appropriated materials to avoid oxidation, strong enough to avoid bend during test.

<b><u>This equipment fulfils EC safety standards.</u></b> A conformity certificate is issued	Certificate of conformity with test standards and a Workshop certificate are issued
<b><u>The origin of this equipment is PORTUGAL.</u></b> A certificate will be is issued at dispatch time	<b>Operation manual is delivered with equipment</b>

TECHNICAL DATA			
<b>Dimensions (L x W x H)</b>	(mm)	550 x 350 x 750	<b>Observation:</b> Equipment must be installed over a leveled and strong bench
<b>Net Weight</b>	(Kg)	55	

Due continuous technical development, we reserve the right to introduce changes in the product, without previous notice.